

# MOBILE WARNING TRAILERS



Road signs  
and equipment

Serbia,  
Centrala 163, 25000 Sombor  
+381 25 428-459, 420-470, 422-542

office@signal.co.rs  
[www.signal.co.rs](http://www.signal.co.rs)



# SIGNAL P-2000 P-3000 P-4000

**HOMOLOGATED BY THE  
RULEBOOK UN 48 AND 55**



Tow ring



Coupler

## TEHNIICAL DATA:

### ► Dimensions:

Ready for work (h. w. l.) 3065x2030x3740mm (coupler installed)  
or 3860mm (tow ring installed)  
Ready for transport (h. w. l.) 1730x2030x3740mm (coupler installed)  
or 3860 mm (tow ring installed)  
Usable trailer trunk: 1680x1390x340mm

► Weight: 420 kg (P4000), 370kg (P2000 i P3000)  
Axial load: 370kg (P4000), 330kg (P2000 i P3000)  
Load to tow truck: 50kg (P4000), 40kg (P2000 i P3000)

### ► Power: battery 2 battery 55 Ah each or can be powered via:

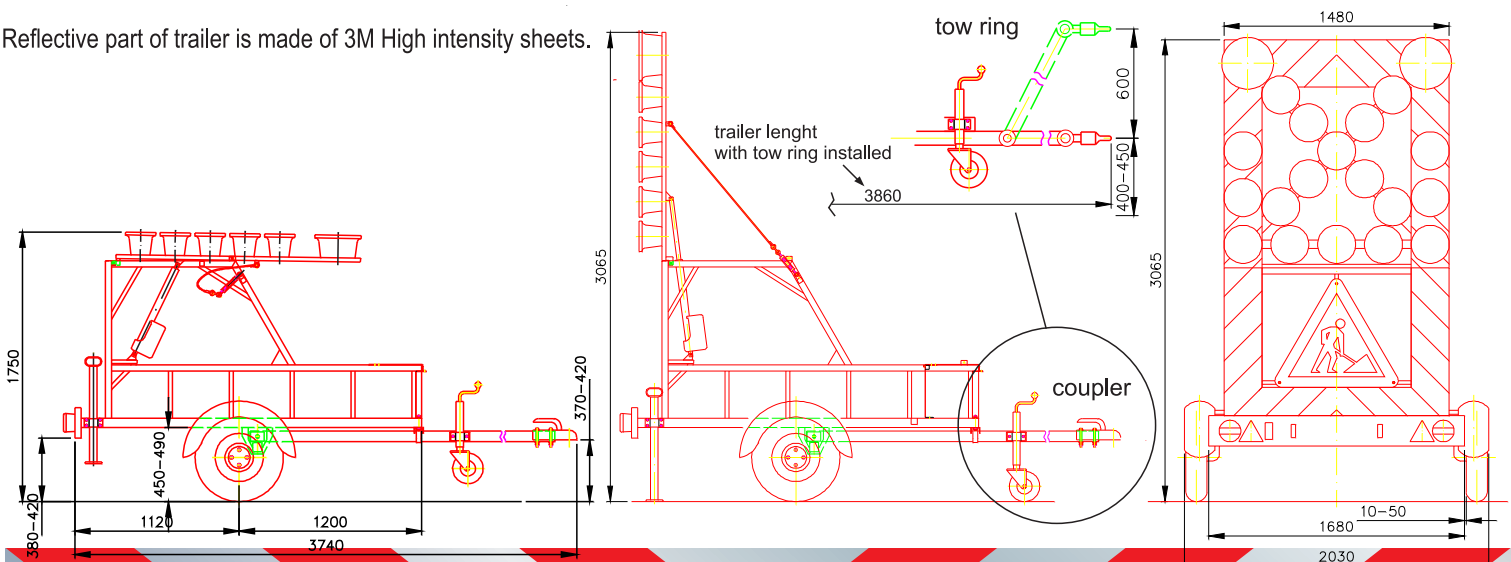
- tow truck
- power grid – trailer have installed the following equipment:  
power grid plug, battery charger, power cable, charger switch.

► Trailer back can be open or closed by electric actuator "Linak"

► Reflective part of trailer is made of 3M High intensity sheets.

### ► Trailer are build in 2 variant:

- with towing ring, adjustable trailer header and electric actuator - **P-4000-O**
- with a coupler, fixed trailer header and electric actuator - **P-4000-S**



# SIGNAL P-2000 P-3000 P-4000



# SIGNAL P-6000

## TYP "SIGNAL P 6000" mobile signal trailer for highway

### SPECIFICATIONS

► Dimensions:

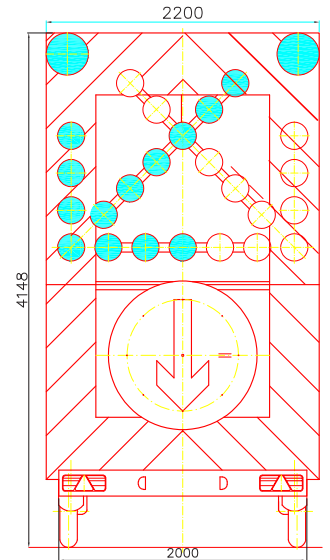
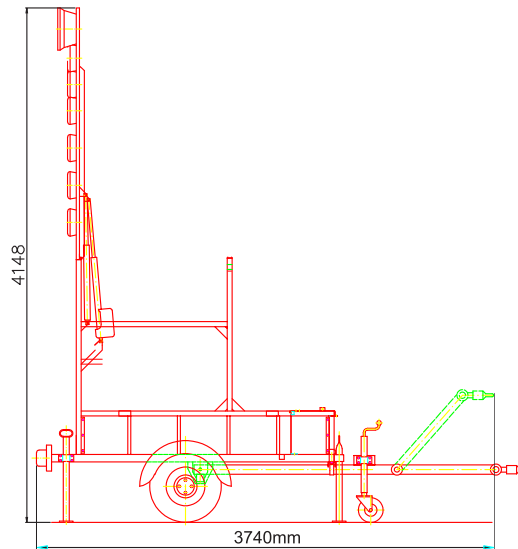
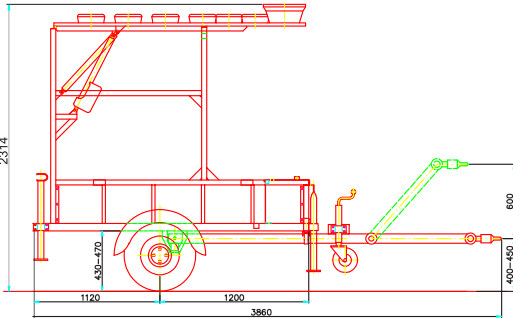
Ready for work (h. w. l.) 4148x2200x3740mm (coupler installed) or 3860mm (tow ring installed)  
Ready for transport (h. w. l.) 2314x2200x3740mm (coupler installed) or 3860mm (tow ring installed)  
Usable trailer trunk: 1680x1390x340mm

► Weight: 480 kg (coupler), 505 kg (tow ring), load to tow truck 60 kg

► Power: battery 100 Ah (or 2 battery 55 Ah each, if trailer contain electric actuator) or can be powered via tow truck via standart connector and power grid - trailer have installed following equipment:  
power grid plug, battery charger, power cable, charger switch.

► Trailer back can be open or closed by hand or by electric actuator.

Trailer are build in 2 variant: with a coupler, fixed trailer header and electric actuator - **P-6000-S**  
with towing ring, adjustable trailer header and electric actuator - **P-6000-O**



# WARNING SIGNAL BOARD

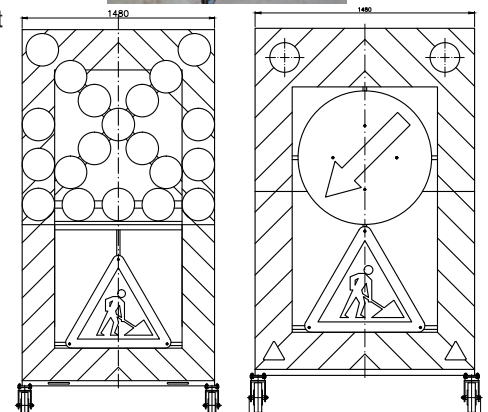


## VII-8 - warning signal board

Road construction warning signal table is ment to transport on construction site on the truck (can't be towed to site)

There is small wheels for ease positioning.

Warning lights are powered from installed battery. Installed battery can be charged on power grid via internal charger.



# WARNING SIGNAL BOARD

# SIGNAL P-5000

## TEHNICAL DATA:

### ▶ Trailer dimensions:

Expanded in working position (h. w. l.) 3583x2030x3400 mm (coupler) ili 3520 mm (tow ring)  
 Ready for transport (h. w. l.) 2490x2030x3740 mm (coupler) ili 3860 mm (tow ring)

### ▶ Trailer weight: 480 kg (coupler), 495 kg (tow ring)

### ▶ Power supply: two battery 180 Ah or can be powered from:

- tow truck
- via power grid – the Trailer is equipped with:
  - Power grid jack
  - battery charger,
  - power cable,
  - charging switch.

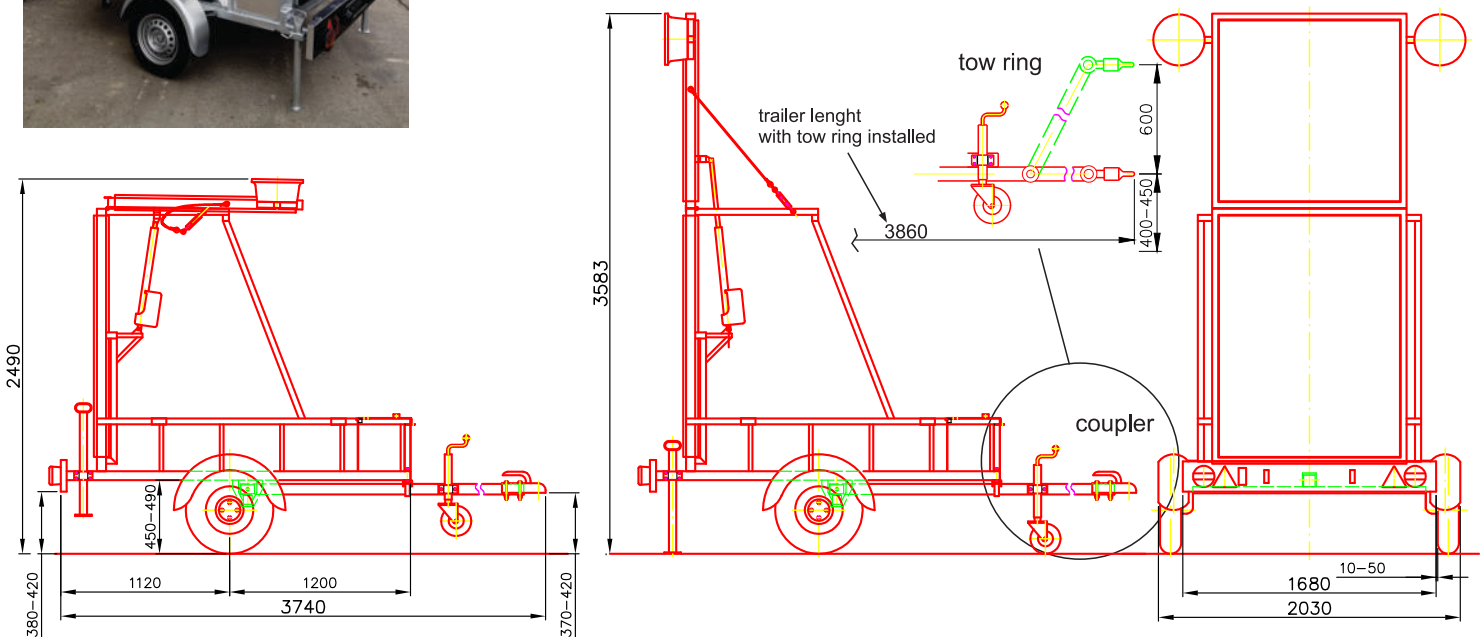
### ▶ Put the Trailer in transport position using electro actuator (Linak Denmark)

### ▶ Light part consist of:

- 2 working signal light Ø340 (Nissen, Germany)
- 2 LED display width variable content: 900x900 mm  
1200x1400 mm

### ▶ Trailer are build in 2 variant:

- with a coupler, fixed trailer header and electric actuator - **P-5000-S**
- with towing ring, adjustable trailer header and electric actuator - **P-5000-O**



# SIGNAL P-5000